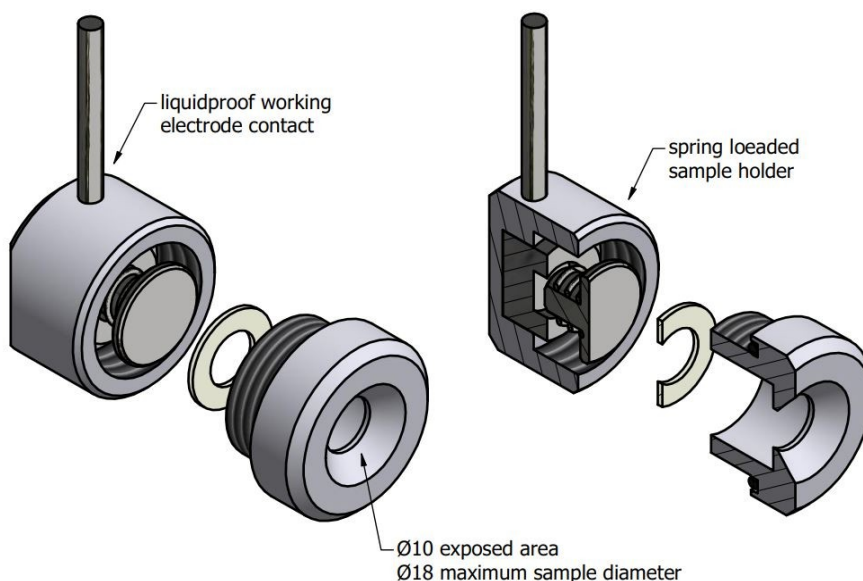


Corrosion Cell

Model 595 - ASTM



Model 595 cell has been developed according to American Society for Testing and Materials (ASTM) designation G5 – 69 (964) as standard cell for corrosion evaluation. Pyrex cell with 6 ground glass conical tapered joint housings for anodic compartments with porous frit, gas bubbler, Luggin capillary for reference electrode and support for working electrode/coupon. Thanks to a PTFE housing the working circular coupon of maximum diameter 18mm is easily placed in the bulk solution avoiding collateral effects due to vicinity to the free surface, please refer to quoted figure for sample support.



Each cell comes in a set including general operation parts: 1L Pyrex cell main body (595/MB), steel cell support (595/CH), gas bubbler (596/GB), Luggin capillary with clamp (596/LU & 596/LUC), two anodic compartments with ceramic frit (2x 596/AC), mercury thermometer with NS12 conical tapered joint adapter (596/TH), PTFE sample support with three sealing gaskets (595/SH & 3x 595/SS) and complete support stand (591/BASE & 591/COBO).

Suggested electrodes as reference (RE) and pH are Ø12mm with 391/CR adapters or Ø6mm with 391/CR6JZ and 435/CR adapters. Any counter electrode (CE) can be used. Proper conductivity cell would be Ø12mm with 391/CR adapter.

The following accessories are suggested for common operations of the cell.

596/AC	Anodic compartment with ceramic frit
595/CH	Steel cell support
596/EH	NS24 to NS12 conical adapter
596/GB	Gas bubbler
596/LU	Luggin capillary
596/LUC	Luggin capillary clamp
595/MB	1L Pyrex cell main body
595/SS	PTFE sample support
595/SH	Sample sealing gasket
596/TH	Mercury thermometer with NS12 conical tapered joint adapter
203/LF	Magnetic stirrer
591/BASE	Universal stand
591/COBO	Universal connection hub